

Lumenier  
NIGHTHAWK SERIES

# ATTRIX10



**STEALTH • RANGE • VERSATILITY**

# ATTRIX10

We are excited to introduce the Lumenier Attrix10 Tactical FPV. This cutting-edge 10" aerial platform is engineered for one-way tactical payload delivery when precision and reliability are essential to mission success. The Attrix has a payload capacity of 6.69 lbs (3 kg) and exceeds all standards for target area penetration.

## Key Features:

- **Unparalleled Range:** The Attrix10 is capable of payload delivery in excess of 12 miles (20 km). Its compact design and rugged construction are optimized for deployments in austere environments where stealth and lethality are vital to mission success.
- **Multi-Frequency:** The Attrix10 is capable of operating on multiple frequencies to increase range and survivability in EW contested environments.
- **Mission-Adaptable:** Primarily configured for one-way missions, the Attrix10 can be equipped with various payload options.



# SPECIFICATIONS

## Flight Time:

w/o Payload: 32+ mins (Hover)\*

Max Payload: 12+ mins (Hover)\*

\* Max payload information can be found to the immediate right.

\* Based on thrust stand data. Actual flight times may vary dependent upon weather, payload weight, and prop style.

## Battery:

Type: 2x6S LiHV (Lithium High Voltage)

Total Capacity: 18,000mAh

## Dimensions:

Width: 380 mm (14.96 in)

Length: 300 mm (11.81 in)

Height: 65 mm (2.56 in)

Vehicle Weight: 2.2 lbs (1 kg)

Maximum Payload: 6.6 lbs (3kg)

Maximum Takeoff Weight: 13.2 lbs (6 kg)

FC: Lumenier LUX H743 FC - NDAA

ESC: Lumenier Siege 80A 3-8S AM32  
4-in-1 ESC - NDAA

Motors: 3115

Propellers: 10x5.5x3

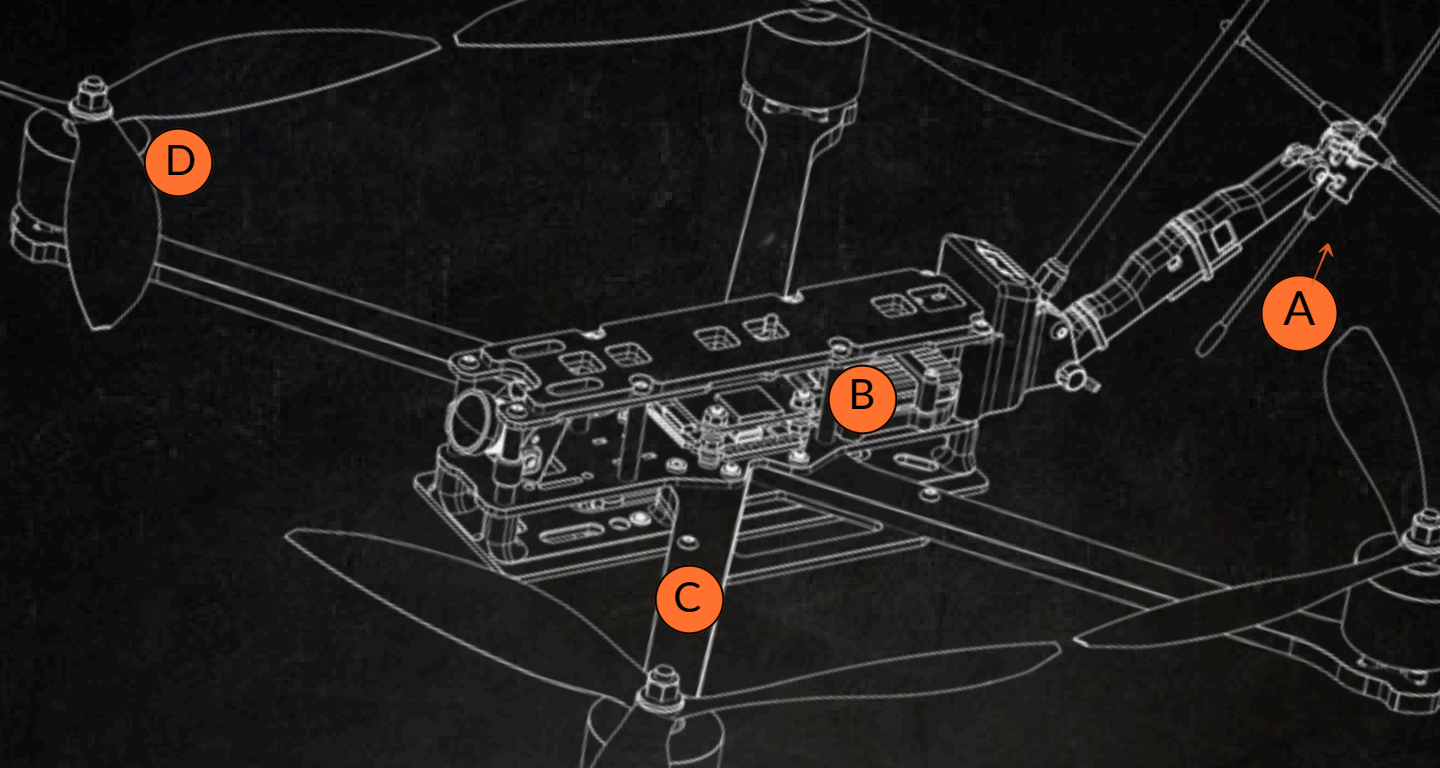
RX: NDAA Nano Radio Receiver

VTX: NDAA Video Transmitter

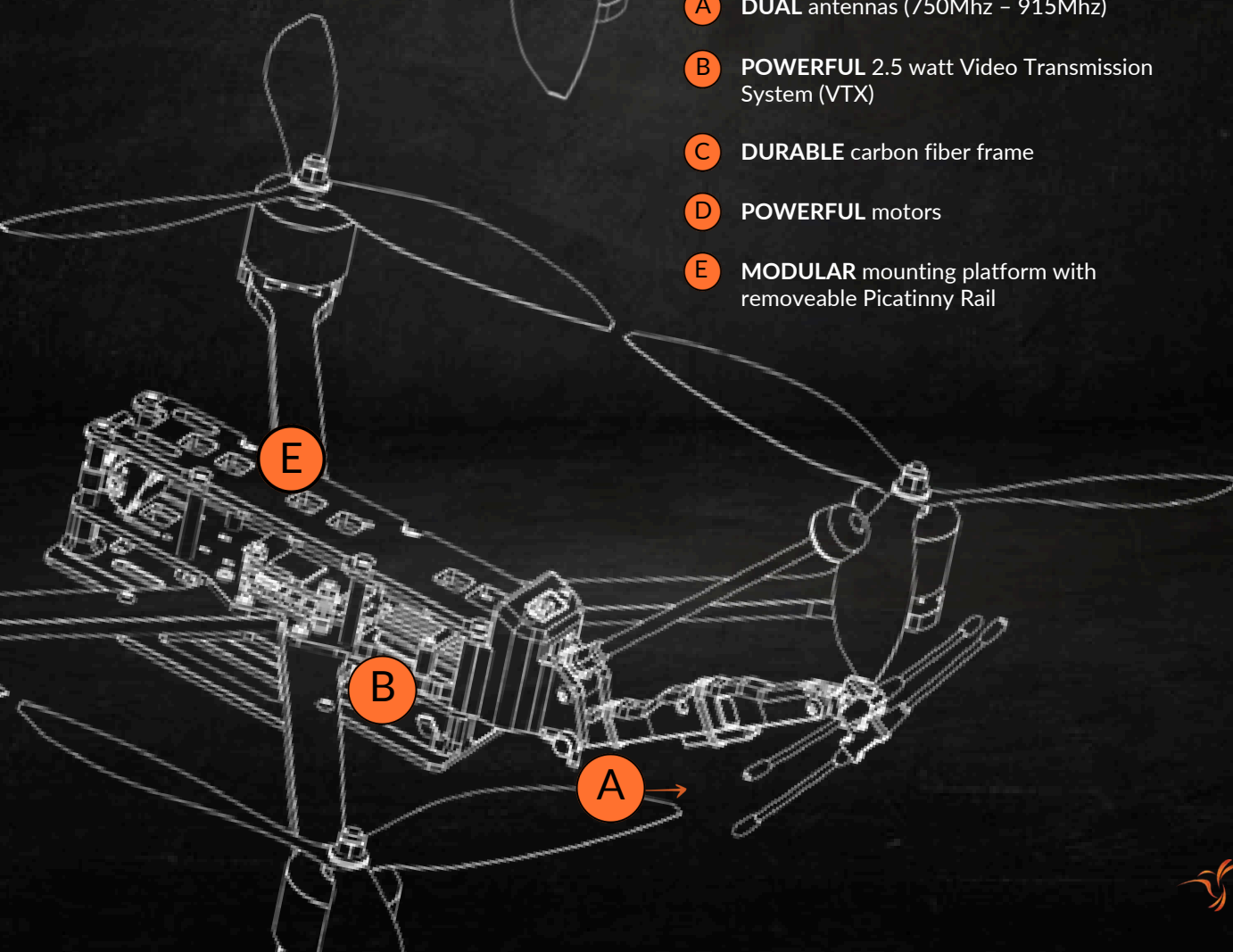
Camera: Low-Light FPV Camera (Black)

Alternate RX, VTX, and Camera options (including digital) are available.

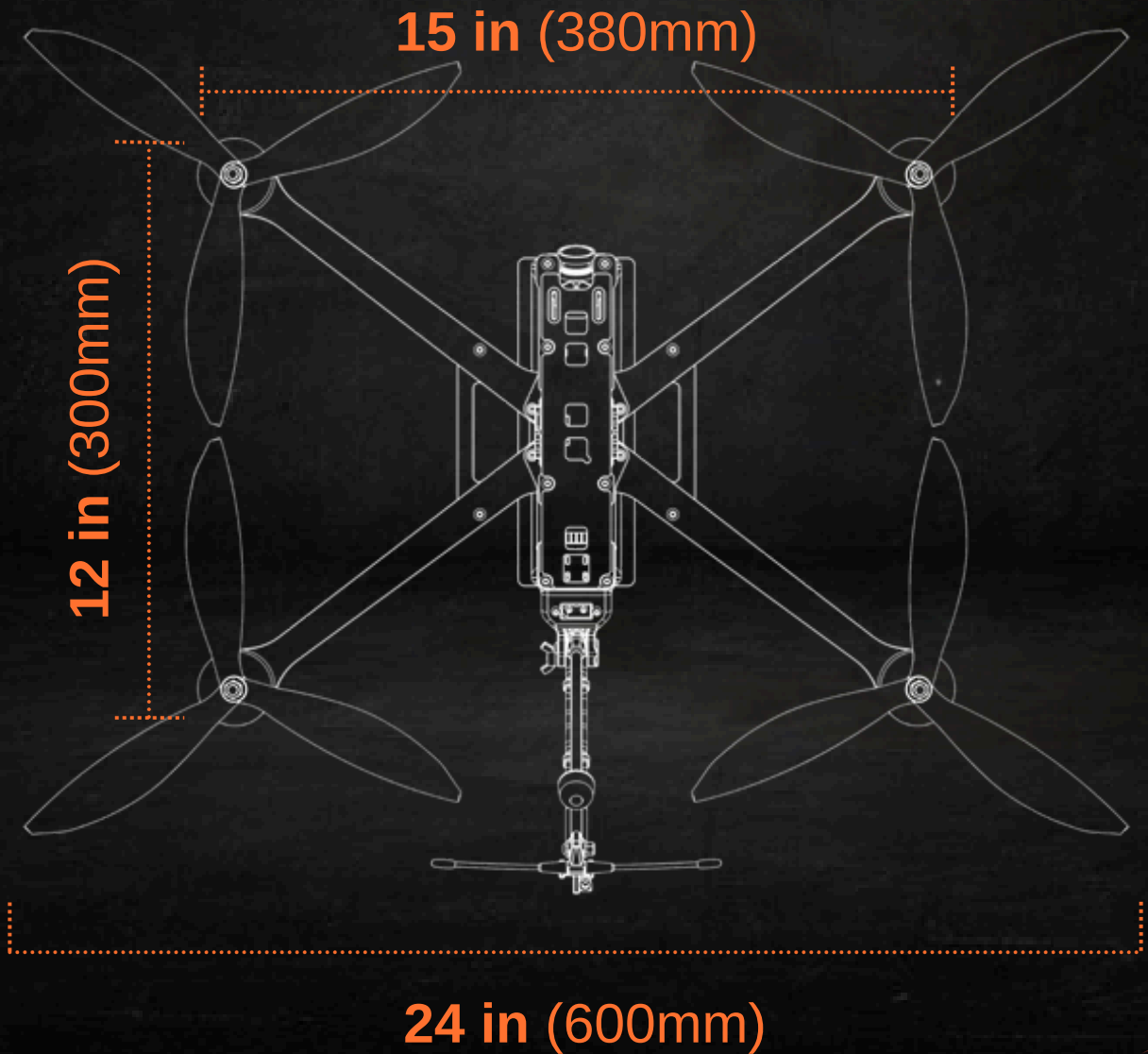
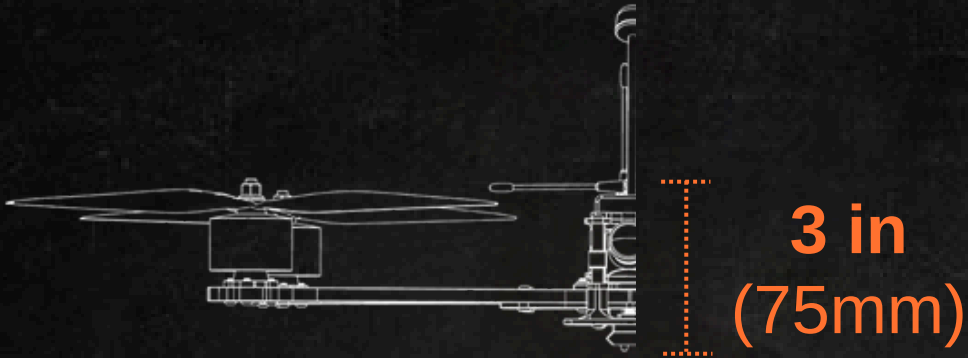




- A** DUAL antennas (750Mhz - 915Mhz)
- B** POWERFUL 2.5 watt Video Transmission System (VTX)
- C** DURABLE carbon fiber frame
- D** POWERFUL motors
- E** MODULAR mounting platform with removeable Picatinny Rail



# DIMENSIONS






# ATTRIX10

*Industry-leading 10" Tactical FPV  
Drone built for attritable delivery  
of kinetic and non kinetic  
payloads.*

- ✓ **Flight Time:**
  - No Payload: 32 mins
  - 6.69 lbs (3 kg) Payload: 12+ mins
- ✓ **Penetration Distance:** Up to 12 miles (20 km)
- ✓ **Cruising Speed:** 46 mph (75 km/h)
- ✓ **Top Speed:** 62-68 mph (100-110 km/h)
- ✓ **Payload:** 6.6 lbs (3 kg) max



## CONTACT US

info@falconuav.com.au 

falconuav.com.au 

